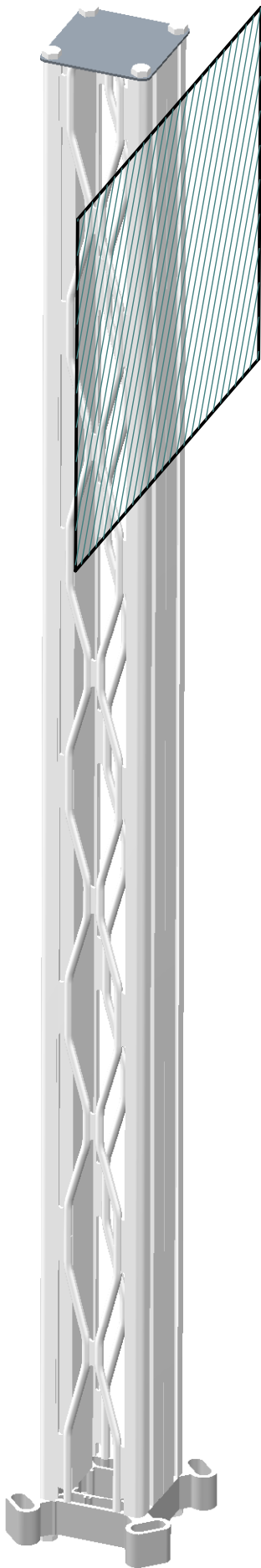


# Lattix® Mini 4412



- The Lattix® 4412 system can be used as a mast setup for small and medium sized traffic signs, as well as for electrical information technology, such as variable message signs.
- The Lattix® 4412 mast has been tested and documented according to EN 12899-1, (fixed, vertical road traffic signs) and EN 12767 (Passive safety of support structures for road equipment).
- The Lattix® 4412 mast is delivered as a complete, factory mounted sign mast. When a complete mast is ordered, the mast, top covering and baseplate will be included.
- Masts can be delivered pre-painted (powder coating), RAL colour codes must be included when ordering. Ask for a list of standard colours.
- The Lattix® 4412 mast is sold in standard lengths. An additional fee will apply if ordered in custom lengths.
- Lattix® 4412 masts should only be used with original Lattix® foundations and Lattix® sign brackets, or guarantees and approvals will not apply.

Complete mast:

Aluminium top plate with bolts

Mast 4412

Baseplate with washers and bolts

Dimension: 125 x 125mm

Weight: 4,75 kg/m

Bending capacity: ( $M_b$ ) 13,5 kNm

Torsional capacity: ( $M_T$ ) 1,0 kNm

Bending stiffness : ( $EI$ ) 250 kNm<sup>2</sup>

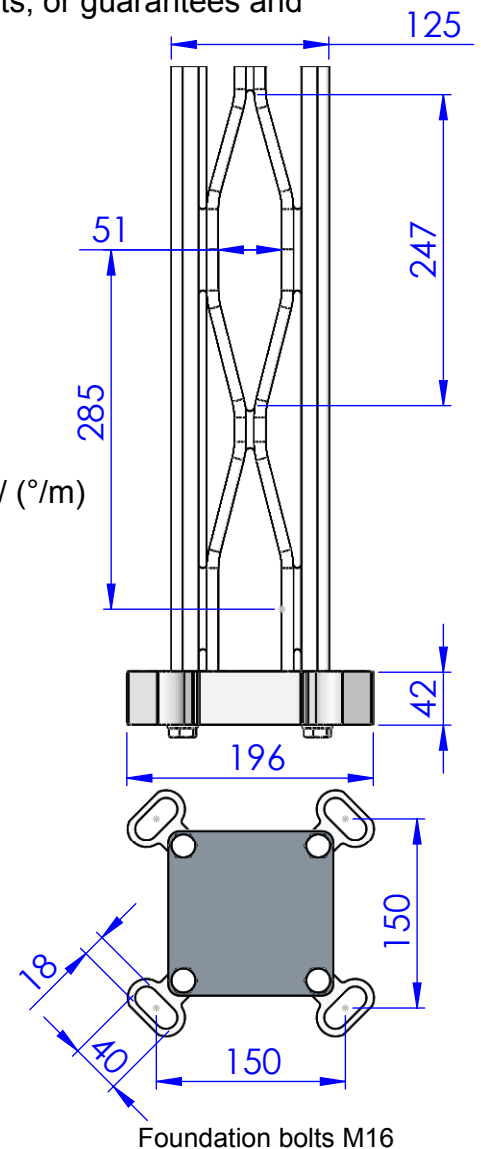
Torsion stiffness: ( $GI_T$ ) 0,27kNm / (°/m)

Baseplate bolts supplied by Lattix®

**Signs shall be mounted on the solid side**

D4412 is delivered in the following standard lengths:

Lengths	Article no.
2950mm	JU 2-00703
3520mm	JU 2-00704
4090mm	JU 2-00705
4660mm	JU 2-00706
Other lengths are delivered to order	



Foundation bolts M16

BAKER ØSTBYS VEI 5  
P.O. 130, 1309 N-NORWAY  
PHONE : + 47 17 85 70  
TELEFAX: + 47 17 85 71  
www.lattix.net



NOTE:

Lattix® products are subject to continuous development and we reserve the rights to change specifications without warning.

DESCRIPTION/BESKRIVELSE:

**Lattix® Mini 4412**

MATERIAL:

Aluminium

DWG NO./TEGNINGSNR.

STD-S-00058-09

FORMAT:

A4

REVISION:

A

DESCRIPTION

WEIGHT: N/A

SCALE: N/A

SHEET 2 OF 2

REV. DATE: 17.11.2009

DATE: 03.11.09