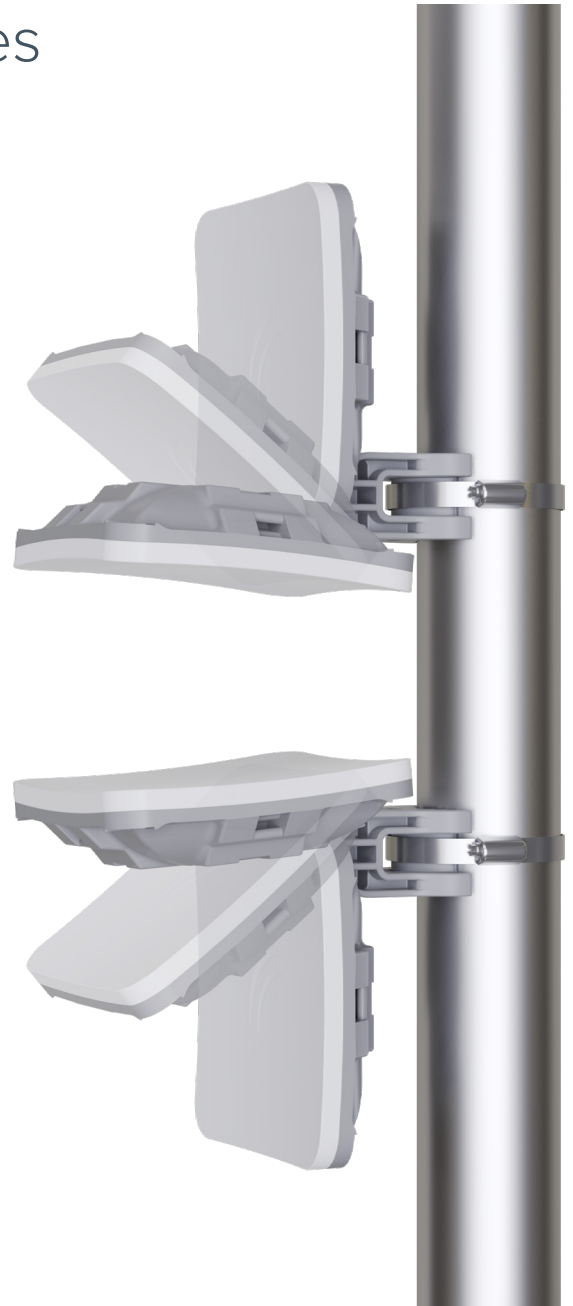


# quickMOUNT-X – additional axis for pole-mounting SXTsq devices

Recently we've seen a demand for additional pole-mounting options for our popular SXTsq devices. You ask – we deliver! The new **QM-X** adapter enables vertical and horizontal adjustment on the pole.



It is lightweight, easy to use, extremely durable and without any small parts that might break. Pick it up today for the price of a milkshake and enjoy simple positioning of your SXTsq devices like never before!

## Specifications

Product code	QM-X
Dimensions	60 x 56 x 35 mm
Tube diameter	30 mm
Max tube diameter to which mount can be attached	60 mm
Maximum antenna weight	2 kg
Compatible devices	SXTsq series, DISC 5
Material	Glass fibre reinforced nylon