

# StationBox<sup>®</sup> XL

CARRIER CLASS

ALUMINIUM CPE OUTDOOR ENCLOSURE

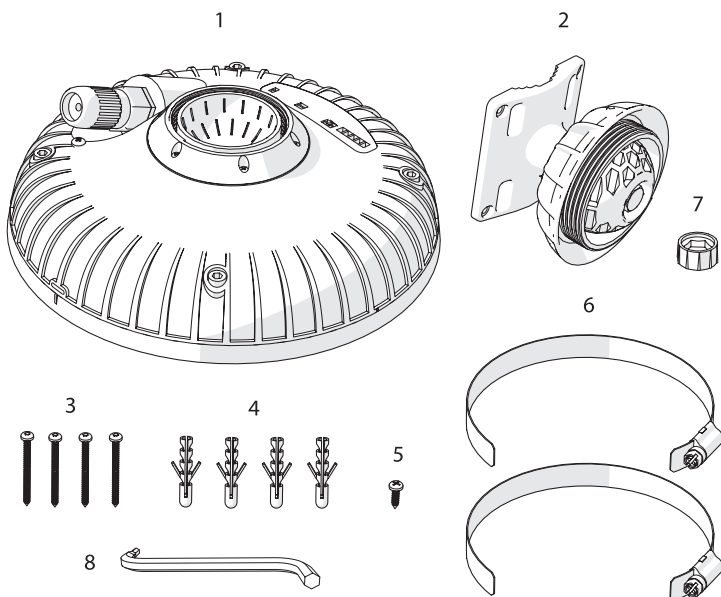


# StationBox® XL

CARRIER CLASS

1

## Package Contents

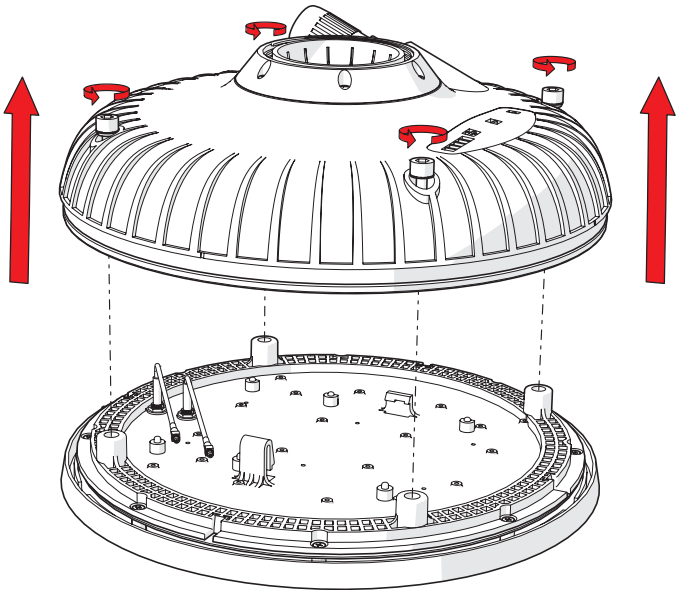


Number	Description	Quantity
1	SBX XL CC Body	1x
2	SBX XL CC Bracket	1x
3	3,5 x 45mm Screw	4x
4	Wall Plug	4x
5	2,9 x 19 Screw	1x
6	Hose Clamp	2x
7	Rubber insert	1x
8	Allen Key 3 - 5mm	1x

# StationBox® XL

CARRIER CLASS

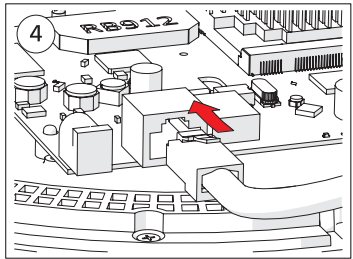
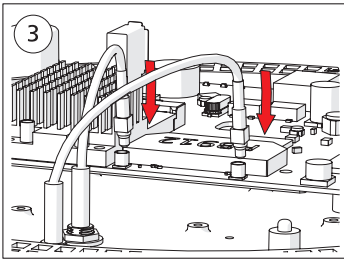
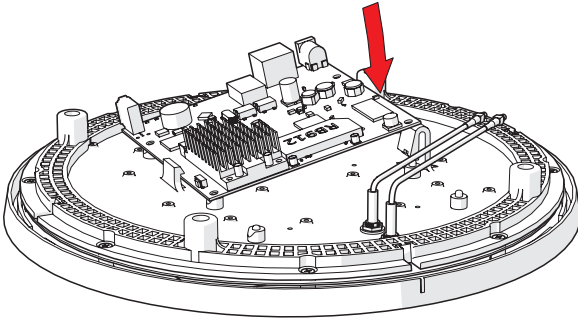
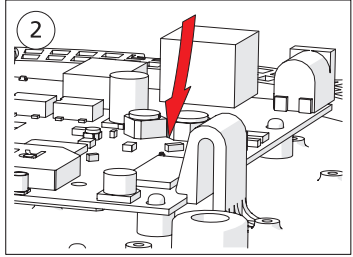
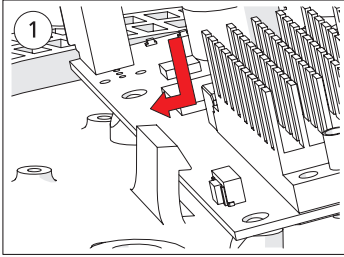
## Installation Guide



# StationBox® XL

CARRIER CLASS

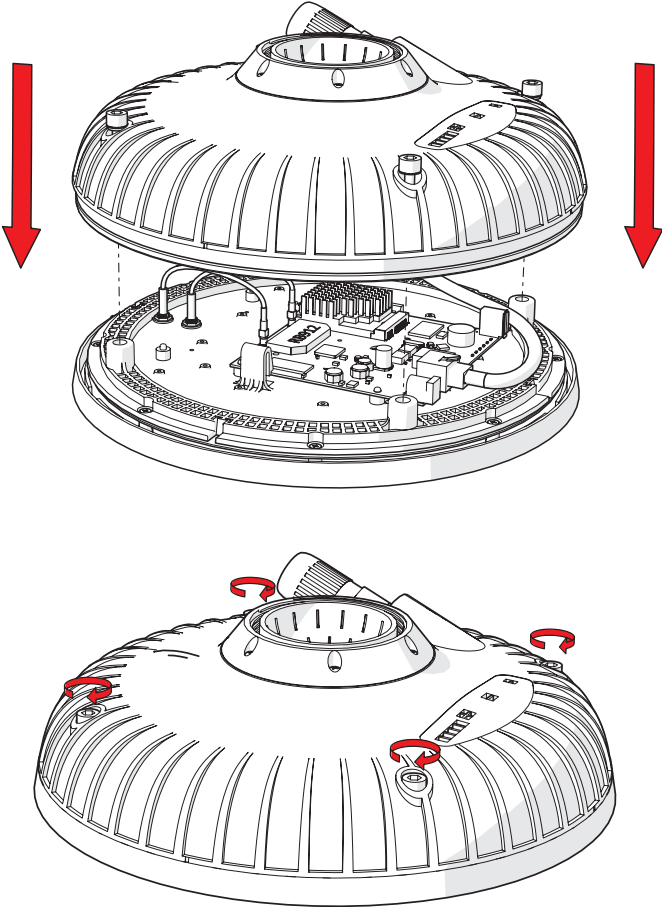
## Installation Guide



# StationBox® XL

CARRIER CLASS

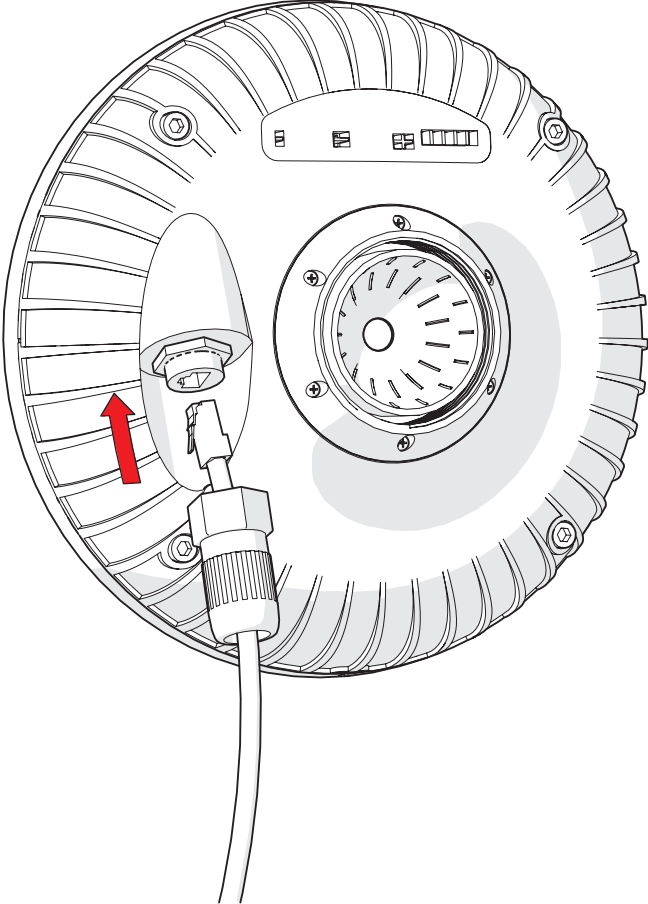
## Installation Guide



# StationBox® XL

CARRIER CLASS

## Installation Guide

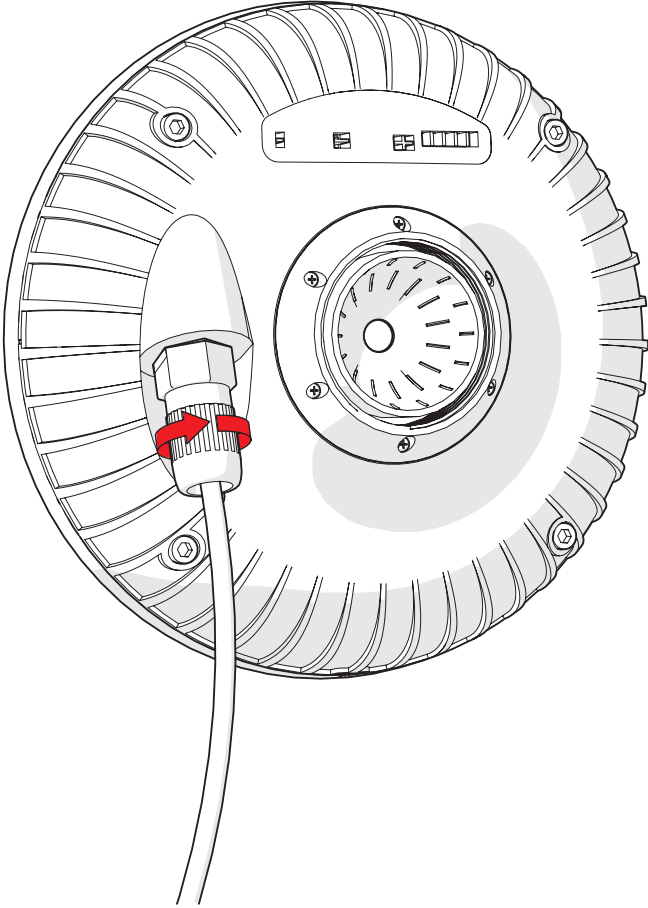


# StationBox® XL

CARRIER CLASS

6

## Installation Guide

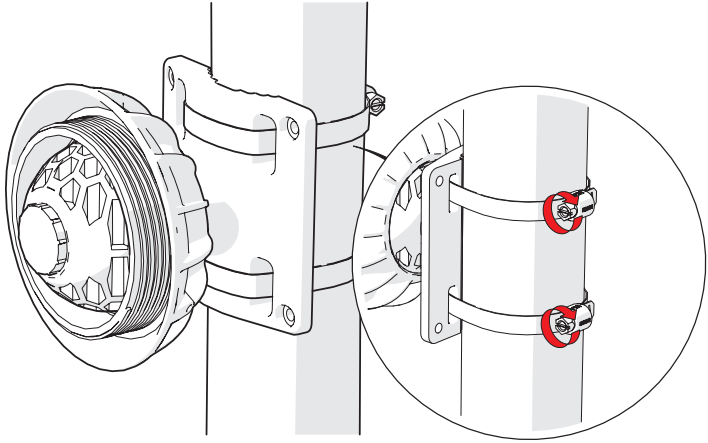


# StationBox® XL

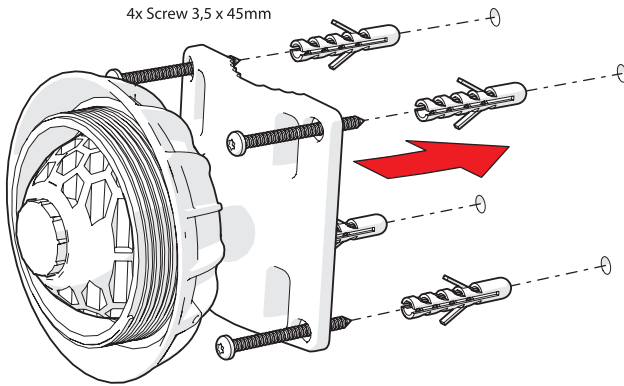
CARRIER CLASS

7

## Installation on a Pole



## Installation on Wall



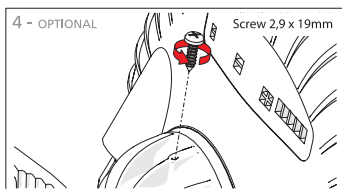
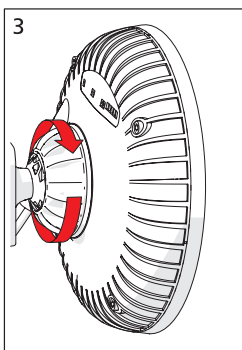
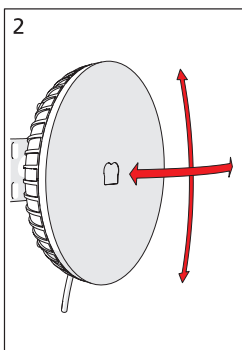
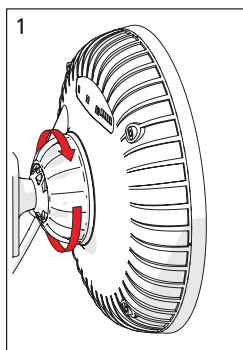
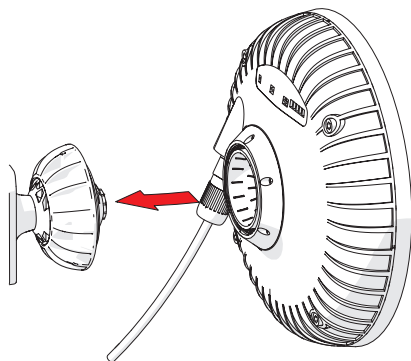


# StationBox® XL

CARRIER CLASS

8

## Installation Guide



## Compatible Devices:

MikroTik™ RB911G-2HPnD\*, RB912UAG-2HPnD\*,  
RB911G-5HPnD\*, RB912UAG-5HPnD\*

MikroTik™ RB711-2Hn, RB711-5Hn, RB711-5Hn-M,  
RB711-5Hn-U, RB711-2HnD, RB711-5HnD,  
RB711G-5HnD, RB711UA-2HnD,  
RB711UA-5HnD, RB711GA-5HnD

MikroTik™ RB411\*, RB411GL\*, RB411L\*,  
RB411AH\*, RB411AR\*, RB411UAHR\*

\*NOT ALL RADIO CARDS MAY FIT

MikroTik™ and RouterBoard™ are trademarks of MikroTik,  
Aizkraukles iela 23, Riga, LV-1006 Latvia.  
RF elements® and StationBox® are trademarks  
of RF elements s.r.o., Humenne, Slovakia.  
All rights of trademark owners reserved.



RF elements s.r.o.  
Phone: +421 2 3260 3711  
info@rfelements.com  
[www.rfelements.com](http://www.rfelements.com)